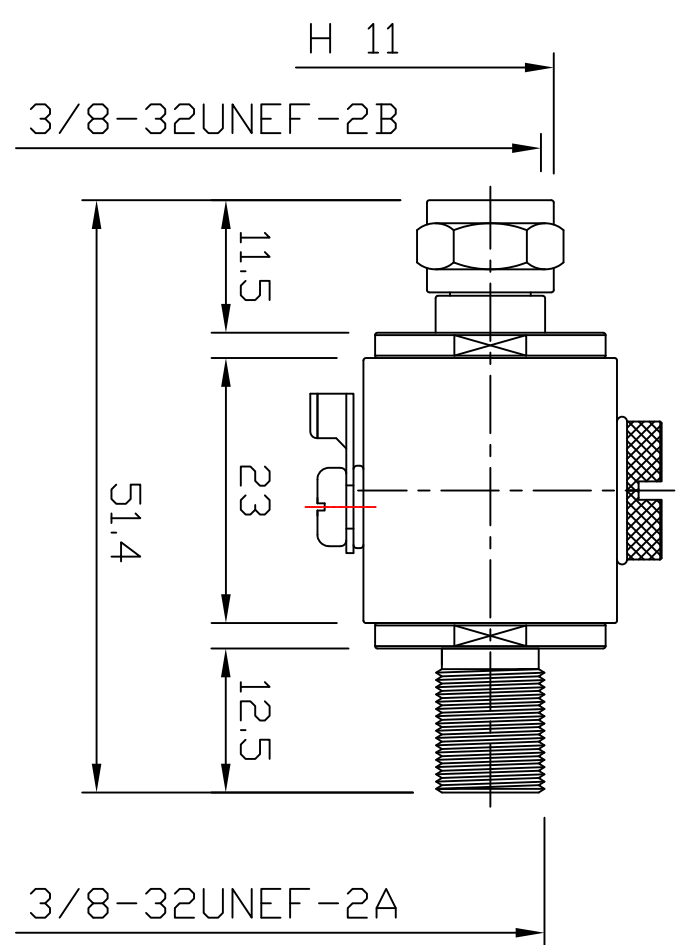
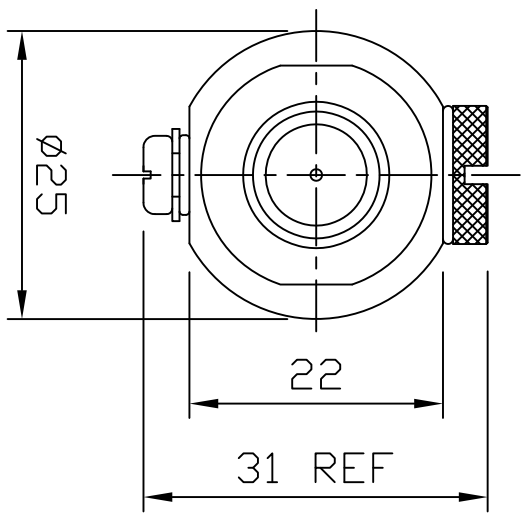


REV	DESCRIPTION	DRAWN	DATE



Lightning Protector 1GHZ
 Frequency 0-1GHZ
 VSWR 1:1.6Max
 Insertion Loss 0.9dBi Max
 Impedence 75Ohm

Gas Tube DC 230V±20%
 Breakdown Vol tage ≤700V
 Gas Tube Impulse Breakdown Vol tage ≥100000M Ohm
 Gas Tube Insulation Resistance
 Max Withstand Current 5 K V
 RF Power Rating 15W

R&D		*MAJOR DIMENSION		APPROVED		TITLE	
2010.06.17		UNLESS OTHERWISE NOTED TOLERANCES 0.5-6=±0.2 6-30=±0.4 30-120=±0.6 120-315=±1.0 ANGLES=±1.0		CASH		Lightning Protector F MALE TO F FEMALE	
SCALE 4/1	UNIT MM	DRAWN KEVIN		DRAWN LYDIA		DRAWING NO. LP-20	
DRAWN DATE 10/06/17		CHECKED		REV		A	